

# ECO Spot 35E™ User Manual

Thank you for choosing an ECO Spot 35E™ Gobo projector. This outdoor unit is equipped with a 35W discharge light bulb, which delivers light output equivalent to a 200W halogen lamp. Please read this manual before installing or operating this fixture, follow the safety precautions listed below and observe all warnings.



## Package Contents

- ✓ Projector with power cord
- ✓ Test Gobo
- ✓ Spare gobo retaining ring

## Safety Information

- This product is not for household use, it presents risks of severe injury or death due to fire and burn hazards, electric shock, lamp explosion and falls.
- Place your fixture at a suitable place with good air flow.
- Keep flammable materials away from the fixture.
- Minimum distance to flammable material = 1 ft (0.3m).
- Minimum distance to illuminated surface = 3.3 ft (1.0m).
- Provide a minimum clearance of 4 in (10cm) around air vents.
- Use only genuine spare parts for part replacement.
- Do not look directly into the lamp; it can result in eye damage.
- Don't touch the hot surface during operation, use gloves if necessary.
- Always unplug the unit from the power mains before any service is done.
- Allow 20 minutes to cool down before servicing the unit.
- Replace Lamps only with the same type other lamps may cause damage.
- Light fixtures should be installed and maintained only by qualified personnel with experience in lighting equipment and general electrical experience.

## Electrical Safety

- Disconnect the fixture from AC power before handling the fixture.
- Always ground (earth) the fixture electrically.
- Use only a power source that complies with local building and electrical codes and has both, overload and ground-fault protection.
- Do not use the fixture if the power cable or power plug is in any way damaged, defective or wet, or if they show signs of overheating.

**Handling Instructions**

- Before the initial start-up, please unpack and carefully check for damage caused during transportation.
- Place your fixture at a suitable place with good air flow.
- Make sure there are no flammable materials close to the lamp.
- After turning off the lamp, it will take 5-10 minutes to restart.
- Depending on the ambient temperature, the lamp may need up to 60 sec. to start.
- When suspending the fixture above ground level, verify that the structure can hold at least 10 times the weight of all installed devices.
- Verify that all external covers and rigging hardware are securely fastened and use an approved means of secondary attachment such as a safety cable.

**Warranty**

One Year from Date of Purchase

**Contact**

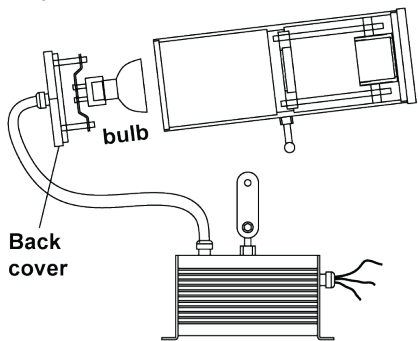
Globus New Media LLC  
Tel 1-888-987-1112 or 1-408-416-4444  
Fax 1-408-416-4445  
www.globusnewmedia.com

**Lamp Replacement**

Unplug the lamp before re-lamping the projector. Let the projector cool down for min. 20min. Use caution, the housing and light bulb may still be hot.

Unscrew the back plate, which holds the light bulb until it is fully exposed. As you unscrew the back plate, the cable will develop some tension, which is normal. Remove the lamp by twisting it counter clockwise and then pull it out of the socket. Reverse this procedure for the new lamp. Do not touch the glass of the lamp with your fingers.

After replacing the light bulb, put some pre tension on the cable by counterclockwise rotating the back plate one rotation counterclockwise. This tension will neutralize after screwing the back plate back into the fixture. Screw tightly to ensure a good seal.

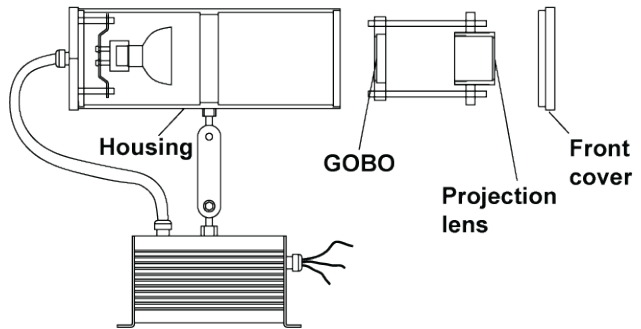


## Gobo Replacement

Unscrew the front cover of the projector, this will expose the projection lens. It sits in a cage that also holds the gobo inside the projector tube.

Unscrew this cage by twisting it counterclockwise at the two thumbscrews that sit next to the projection lens. The exposed inner thread of the tube can have sharp edges, be careful not to get cut.

Pull out the complete gobo holder. The gobo holder with the gobo is now exposed.



Push the two pins of the retaining ring together and pull it out.

Carefully remove the old gobo.

If you have a glass gobo, place the most reflective side towards the light bulb.

Replace the retaining ring and make sure it evenly pushes the gobo all the way back

## Focusing

Power up the projector and wait a minute for it to reach full brightness.

Twist the gobo cage until the artworks projects in the correct position.

Focus the projection by twisting the lens (not the complete cage) in and out until the image is well focused.

Replace the front cover to weather proof the fixture.

**Specifications**

**Voltage (US Version)**

90-130V, 50-60Hz, 0.38A, 41W  
Power factor 0.98

**International Version**

200-240V, 50Hz, 0.2A, 41W

**Ambient Operating Temperature**

-13 to 104°F (-25 to 40°C)

**Dimensions**

Base 5.25in x 3.25in x 3.25in (133 x 83 x 83mm)

Head 9.5in x 3.4in (241 x 86mm)

Total height 8.25in (210mm)

Weight 4.5lbs (2,040g)

**Gobo Dimensions**

Metal or Glass Gobos and Dichroic filters

Outer Diameter (OD): 37.5mm (1.47 in)

Max. Image Diameter (ID): 25mm (1.0 in)

Max Thickness 4mm (0.16 in)

**Replacement Lamp**

**35W HID MR16 Lamp with GU10 socket**

Philips MASTERC colour CDM-Rm Mini Elite 35W/930 GX10 10D

Other product name: MC CDM-Rm Mini Elite 35W/930 GX10 10D

ILCOS code: MRS/UB-35/30/1A-H-GX10

Order Code: HID35Eco

HID MR16 Lamp GU10 35W

Rated bulb life 12,000hrs

Expected bulb life 8,000hrs

Color temperature 3,000K

Luminous Intensity 18,000cd

Socket GX10

CRI 87-90

**ECO Spot 35™ Photometrics**

