



architectural + commercial + display LIGHTING BY SELECON



## Aureol BeamShaper

The Aureol BeamShaper is a high performance projection spotlight able to precisely shape and control a beam of light using the four integral shutters or project images (stainless steel or glass patterns). As a part of the Aureol BeamSpot it offers all the same features as the BeamSpot with MR16 12V lamp, integral power supply, accessory and mounting options. The unique BeamShaper

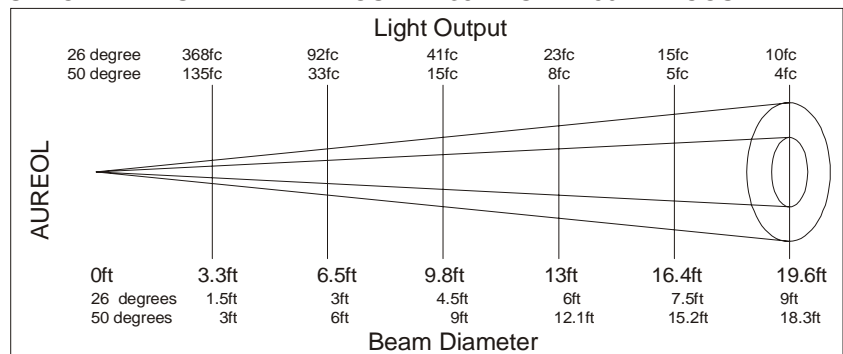
accessory turns any Aureol BeamSpot into a high performance **BeamShaper**.

### Main Features

- Drop in zoom lens barrel accessory turns any Aureol BeamSpot into a Zoom ellipsoidal.
- Dedicated designed aspheric lenses to maximize light output and projection clarity.
- Beam angle Zoom adjustment 26 to 50 degrees.
- Integrated pattern mounting. E size stainless steel or glass patterns are mounted inside the body.
- Four captive shaping shutters.
- Rotatable lens barrel allows image rotation with screw lock off.
- Lens position (focus) reference scale.
- Integrated accessory and two filter mounting slots – to carry colour filter 2" round or square (square cut is cheaper) one of which can be up to 2/16" thick, anti glare snoot, barn-door or animation discs drive unit with A size disc 8 5/8" diameter with motor drive options of 1,2,5, 10 RPM motor. The motor drive mounts into the front slot of the BeamShaper.

AUREOL BEAM SHAPER WITH OSRAM 38 DEGREE 50W DECOSTAR LAMP

Note - The BeamShaper uses our custom designed aspheric lens to minimize beam distortion and field curvature resulting in excellent pattern projection for a fixture of this type. The actual performance is dictated by the lamp used. For best results the unit is shipped with the Osram 38° 50W Decostar lamp.



### Specification codes and weights (includes lamp)

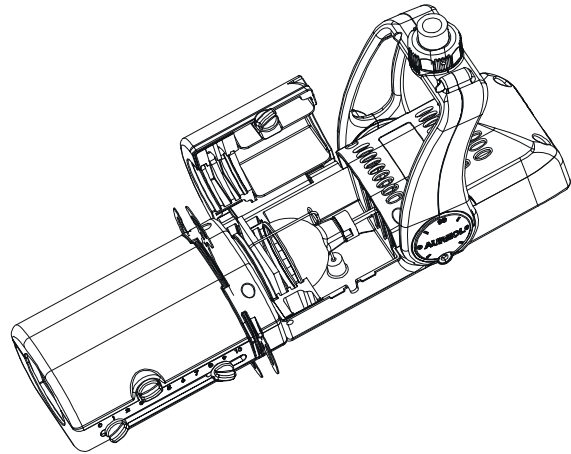
	Copper Transformer	Electronic Transformer	Electronic Transformer + on board dimmer
Yoke only for 1/2" connection	ARLCY/BS## 5lb 9oz	ARLEY/BS## 3lb 13oz	ARLEDY/BS## 3lb 13oz
Track Mount Eutrack 3crt	ARLCT/BS## 5lb 14oz	ARLET/BS## 3lb 15oz	ARLEDT/BS## 3lb 15oz
Ceiling Base 3" diameter	ARLCC/BS## 5lb 14oz	ARLEC/BS## 3lb 15oz	ARLEDC/BS## 3lb 15oz
3ft mains cable	ARLCF/BS##	ARLEF/BS##	ARLEDF/BS##
3ft mains cable + hookclamp	ARLCFH/BS##	ARLEFH/BS##	ARLEDFH/BS##

Indicate finish by replacing ## with two digit code : 01=White / 02=Silver / 03=Black

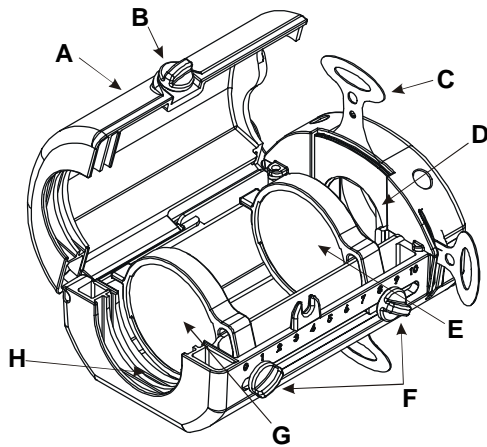
## BeamShaper 1.0

### Configuration

Mounting: BeamShaper is mounted into the front accessory slot of the BeamSpot. This allows the “lens tube” to rotate for aligning projected images or the straight edge of the shuttered beam.



### Key operating points and features



A: Beam Shaper Lid. This allows access to the lens compartment for inserting patterns or cleaning the lenses.

B: Lid Locking Knob. This locks the Beam Shaper lid closed.

C: Shutters. Four non-removable shutters are provided to allow you to mask portions of the beam, or to frame around pictures, etc.

D: Pattern Slot. This slot, just forward of the shutter plates, carries E size glass patterns, which fit directly into the slot, or steel patterns which are inserted in front of the supplied 'pattern spacer' ring.

E: Rear Lens.

F: Lens Locking Knobs.

G: Front Lens.

H: Color filter and accessory slots.

### Dimensions-

