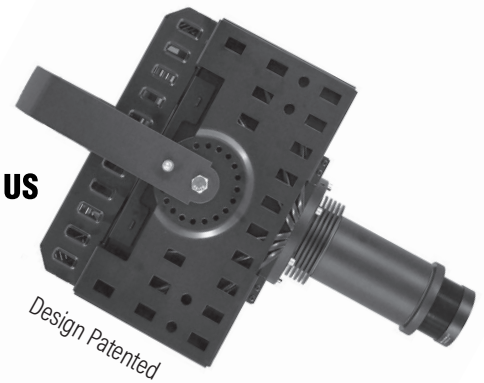


ECO Spot™ B300PCE LED Gobo Projector - Spec Sheet

Weather and Dustproof Projector for Rugged Environments

- Passive cooling** - no moving parts such as fans or motors
- Applications** - for bright environments, large projection sizes and long distance projections
- UL/cUL Certified** - for wet and dusty environments
- Interchangeable Projection Lenses** - for a wide range of projection distances and sizes



SPECIFICATIONS

Order Code: ES-B300PCE
Power Suply: 100-277V, 50/60Hz, 2.7A, 270W
Temp Rating: -22°F to 140°F (-30°C to 60°C)
Environment: Rugged, dusty, wet environments

Lamp Type: LED - 300 Watt
LED Power Range: Field Adjustable, 270W to 90W (see application notes)
Rated LED Lifespan: 25,000 hours to 60,000 hours depending on power setting
LED Color Temp: 8,000k +/- 500k
Luminous Flux: 20,000lm (effective flux 11,500lm)

Projection Lenses: Narrow: f=290mm/10°
Semi-Narrow: f=210mm/13°
Medium: f=140mm/20°
Semi-Wide: f=115mm/25°
Wide: f=92mm/30°
Ultra-Wide: f=56mm/40° - please note, lens has max Gobo ID of 44mm

Gobo Size: M-Size - Outside Diameter: 66mm, Image Diameter: 48mm
(ID=44mm for ultra-wide lens)

Gobo Types: Glass or Metal Gobos only, no Film Gobos

Projection Range

Bright Environment: - Up to 60 feet
Dim Environment: - Up to 200 feet
Dark Environment: - Up to 400 feet

Safety Standards:

UL 48 Standard for Electric Signs,
CSA C22.2 No. 207-15 Standard for Portable
and Stationary Electric Signs and Displays.
E493665 Rated for Wet Environments

UL Certificate Number:



Copyright © 2019 Globus New Media LLC. Specifications may change at anytime, not liable for errors or omissions

4444 Scotts Valley Drive, Suite 5 | Scotts Valley, CA 95066, USA

ECO Spot™ B300PCE LED Gobo Projector - Spec Sheet

Dimensions

Projector Body: 14.5" x 16.5" x 12"
 Projector Weight: 50lbs

Total Length

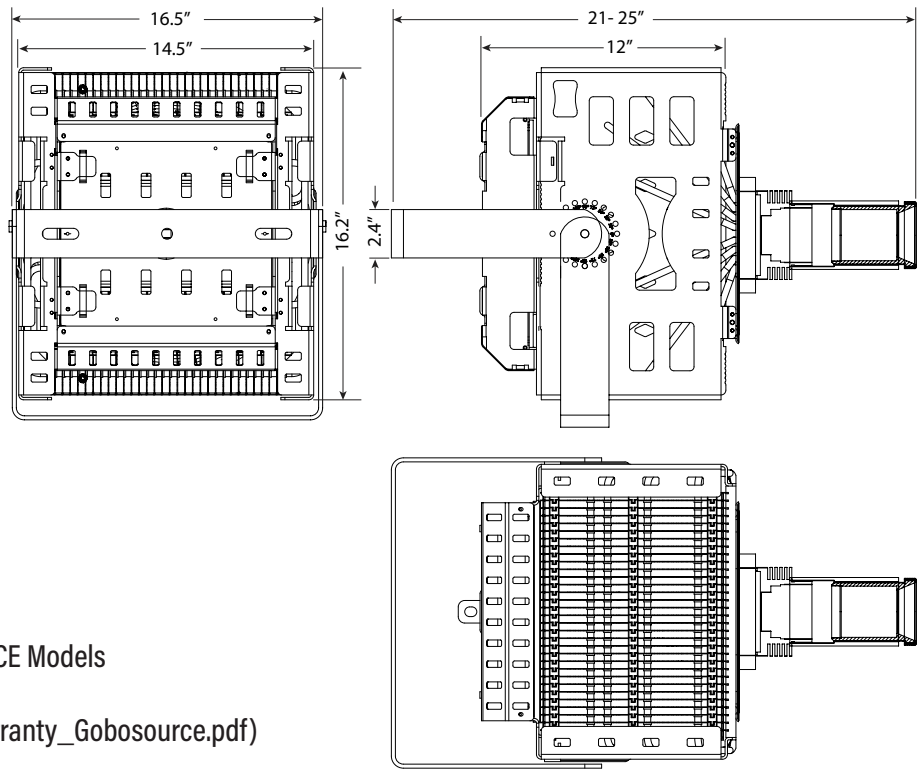
Including Projection Lens: - 21.5"
 with Narrow or Semi-Narrow Lens: - 25"

Shipping Dimensions

Box Size: 28" x 20.5" x 19"
 Box Weight: 56.5lbs

Product Warranty

Two year repair/replacement warranty for PCE Models
 For warranty details please visit:
 (https://www.gobosource.com/gos/pdf/Warranty_Gobosource.pdf)



Model Gobo Size	Gobo max ID	Lens	Beam Mult.	Effective Im	Efficiency Im/W	Value	PROJECTION DISTANCE IN FEET (ft)																
							3	6	9	12	15	20	24	30	36	42	64	88	112	136	200	300	
ES-B300E ES-B300PCE	52mm	290mm (10°)	0.17	5020	17	Size (ft) Brightn.(fc)			1.5	2.0	2.5	3.3	4.0	5.0	6.0	7.0	10.7	14.7	18.7	22.7	33.3		
		209mm (13°)	0.23	8910	30	Size (ft) Brightn.(fc)			2.1	2.8	3.5	4.6	5.5	6.9	8.3	9.7	14.7	20.2	25.8	31.3	46.0	69.0	
		140mm (20°)	0.35	11078	37	Size (ft) Brightn.(fc)			2.1	3.2	4.2	5.3	7.0	8.4	11	13	15	22	31	39	48	70	
	M-Size OD=66mm ID=48mm	115mm (25°)	0.42	12776	43	Size (ft) Brightn.(fc)			2.5	3.8	5.0	6.3	8.3	10.0	13	15	18	27	37	47	57	83	
		92mm (30°)	0.55	10600	35	Size (ft) Brightn.(fc)			3.3	5.0	6.6	8.3	11.0	13.2	17	20	23	35	48	62	75		
		44mm recom. 56mm** (40°)	0.82	10261	34	Size (ft) Brightn.(fc)			4.9	7.4	9.8	12.3	16.4	19.7	25	30	34	52	72	92		**For even brightness, max. ID=42mm	
Model Gobo Size	Gobo ID	Lens	Beam Mult.	Effective Im	CD	Value	3	6	9	12	15	20	24	30	36	42	64	88	112	136	200	300	

ECO Spot is a Trademark of Globus New Media LLC dba Gobosource Copyright ©2019 GoboSource® V20190820

How to Read the Illumination Values

Foot Candles (ft)	For a quick overview, the illumination values in the tables are color coded. There are many factors that determine the visibility of a projection, such as ambient light, color and reflectiveness of the projection surface, competing light, gobo colors, projector color temperature, and other factors. Therefore our recommendations should only be used as guidelines and we cannot guarantee a successful application. If you are unsure, please call us to discuss.
Projection Size Calculation	For the resulting Projection Size at any given Distance, Multiply the number in the "Beam Mult." column with your Projection Distance. Projection Size = Distance x Beam Mult. For the Distance needed to achieve a desired Projection Size, Divide the Projection size by the Beam Multiplier. Distance = Projection Size / Beam Mult.
300+	Extreme brightness for extremely bright environments, i.e. bright areas, additionally flooded with daylight, such as Lobby-, Retail-, Trade Show-, Environment. Outdoors (shady, no direct sunlight).
150-300	Very high brightness for very bright environments, such as light flooded Office-, Lobby-, Retail-, Trade Show-, Environment. Color gobos project in vibrant colors. Outdoors well visible at night with vibrant colors.
45-150	The most common brightness bracket for bright environments, such as Office, Lobby, Retail, Tradeshow. Outdoors extremely bright at night. Color gobos project well.
15-45	Sufficient brightness for environments, such as Bars, Clubs, and intimate Restaurants, Theaters, and dimmed Conference rooms. Outdoors well visible at night. Color gobos should preferably be used with lighter colors and the projection surface should be light and somewhat reflective.
15-2	Only advisable for dark environments and subtle projection of light colored artwork, preferably on light, reflective projection surface. If all conditions are met, the max. listed image distance/size can be doubled in most cases.

Metric Conversions: For Meters multiply feet by .305. For Lux multiply footcandles by 10.76

Package Contents

Projector | Mounting Yokes | Lens Tube | Projection Lens | Test Gobo | User Manual

Have Questions? Call Us!
1.800.270.6449
www.gobosource.com/signs



Copyright © 2019 Globus New Media LLC. Specifications may change at anytime, not liable for errors or omissions

4444 Scotts Valley Drive, Suite 5 | Scotts Valley, CA 95066, USA