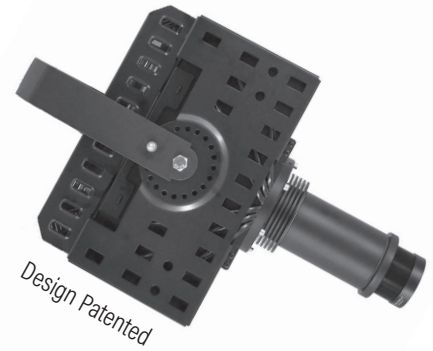


ECO Spot™ B150PCE LED Gobo Projector - Spec Sheet

Weather and Dustproof Projector for Rugged Environments

- Passive cooling** - no moving parts such as fans or motors
- Applications** - for dusty and wet industrial environments
- UL/cUL Certified** - for wet and dusty environments
- Interchangeable Projection Lenses** - for a wide range of projection distance and size



SPECIFICATIONS

Order Code: ES-B150PCE
Power Suply: 100-277V, 50/60Hz, 220W
Temp Rating: -22°F to 140°F (-30°C to 60°C)
Environment: Dusty and wet industrial environments

Lamp Type: LED - 150 Watt
LED Power Range: Field Adjustable, 60W to 150W (see application notes)
Rated LED Lifespan: 25,000 hours to 60,000 hours depending on power setting
LED Color Temp: 6,000k +/- 500k
Luminous Flux: 12,000lm (effective flux 8,900lm)

Projection Lenses: Narrow: f=290mm/10°
Semi-Narrow: f=210mm/13°
Medium: f=140mm/20°
Semi-Wide: f=115mm/25°
Wide: f=92mm/30°
Extra-Wide: f=56mm/40° - Please Note: 44mm Max ID for this lens

Gobo Size: M-Size - Outside Diameter: 66mm, Image Diameter: 48mm
(ID=44mm for extra-wide lens)

Gobo Types: Glass or Metal Gobos only, no Film Gobos

Projection Range

Bright Environment: - Up to 70 feet
Dim Environment: - Up to 150 feet
Dark Environment: - Up to 300 feet

Safety Standards: UL 48 Standard for Electric Signs, CSA C22.2 No. 207-15 Standard for Portable and Stationary Electric Signs and Displays. E493665 Rated for Wet Environments

UL Certificate Number:



Copyright © 2019 Globus New Media LLC. Specifications may change at anytime, not liable for errors or omissions

4444 Scotts Valley Drive, Suite 5 | Scotts Valley, CA 95066, USA

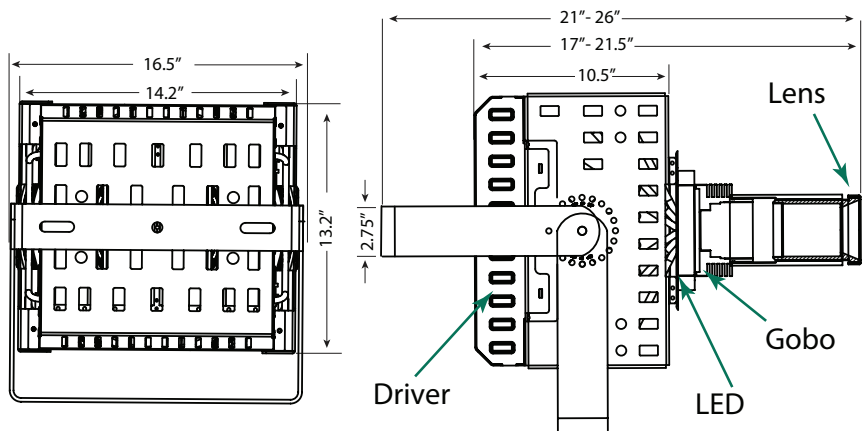
ECO Spot™ B150PCE LED Gobo Projector - Spec Sheet

Dimensions

Projector Body: 13.2" x 14.2" x 10.5"
 Projector Weight: 23lbs

Total Length

Including Projection Lens: - 21.5"
 with Medium or Wide Lens: - 17"
 Semi-Wide - 18.5"

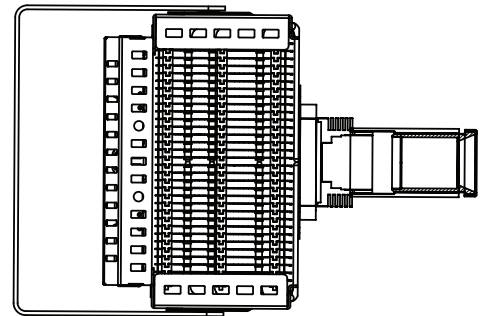


Shipping Dimensions

Box Size: 19" x 19" x 17"
 Box Weight: 33lbs

Product Warranty

Two year repair/replacement warranty for PCE Models
 For warranty details please visit:
 (https://www.gobosource.com/gos/pdf/Warranty_Gobosource.pdf)



ECO Spot™ Photometrics							PROJECTION DISTANCE IN FEET (ft)																
Model Gobo Size	Gobo max. ID	Lens	Beam Mult.	Effective Lumens	Effective Candela	Value	3	6	9	12	15	20	24	30	36	42	64	88	112	136	200	300	
ES-B150 ES-B150E ES-B150C ES-B150CE ES-B150PCE	50mm	209mm (13")	0.23	6877	165,600	Size (ft) Brightn.(fc)			2.1	2.8	3.5	4.6	5.5	6.9	8.3	9.7	14.7	20.2	25.8	31.3	46.0	69.0	
		140mm (20")	0.35	9693	100,800	Size (ft) Brightn.(fc)		2.1	3.2	4.2	5.3	7.0	8.4	11	13	15	22	31	39	48	70		
		115mm (25")	0.42	8845	64,800	Size (ft) Brightn.(fc)	2.5	3.8	5.0	6.3	8.3	10.0	13	15	18	27	37	47	57				
M-Size OD=66mm ID=48mm	48mm	92mm (30")	0.55	8206	34,560	Size (ft) Brightn.(fc)	3.3	5.0	6.6	8.3	11.0	13.2	17	20	23	35	48	62					
		44mm recom. 56mm** (40")	0.82	7221	13,680	Size (ft) Brightn.(fc)	4.9	7.4	9.8	12.3	16.4	19.7	25	30	34	52	72						**For even brightness, max. ID=42mm
ECO Spot is a Trademark of Globus New Media LLC dba Gobosource							Copyright ©2019 GoboSource® V20181227																
How to Read the Illumination Values																							
Foot Candles (ft)	For a quick overview, the illumination values in the tables are color coded. There are many factors that determine the visibility of a projection, such as ambient light, color and reflectiveness of the projection surface, competing light, gobo colors, projector color temperature, and other factors. Therefore our recommendations should only be used as guidelines and we cannot guarantee a successful application. If you are unsure, please call us to discuss.																						
Projection Size Calculation	For the resulting Projection Size at any given Distance, Multiply the number in the "Beam Mult." column with your Projection Distance. For the Distance needed to achieve a desired Projection Size, Divide the Projection size by the Beam Multiplier.											Projection Size = Distance x Beam Mult. Distance = Projection Size / Beam Mult.											
300+	Extreme brightness for extremely bright environments, i.e. bright areas, additionally flooded with daylight, such as Lobby-, Retail-, Trade Show-, Environment. Outdoors (shady, no direct sunlight).																						
150-300	Very high brightness for very bright environments, such as light flooded Office-, Lobby-, Retail-, Trade Show-, Environment. Color gobos project in vibrant colors. Outdoors well visible at night with vibrant colors.																						
45-150	The most common brightness bracket for bright environments, such as Office, Lobby, Retail, Tradeshow. Outdoors extremely bright at night. Color gobos project well.																						
15-45	Sufficient brightness for environments, such as Bars, Clubs, and intimate Restaurants, Theaters, and dimmed Conference rooms. Outdoors well visible at night. Color gobos should preferably be used with lighter colors and the projection surface should be light and somewhat reflective.																						
15-2	Only advisable for dark environments and subtle projection of light colored artwork, preferably on light, reflective projection surface. If all conditions are met, the max. listed image distance/size can be doubled in most cases.																						
Metric Conversions: For Meters multiply feet by .305. For Lux multiply footcandles by 10.76																							

Package Contents

Projector | Mounting Yokes | Lens Tube | Projection Lens | Test Gobo | User Manual

Have Questions? Call Us!
1.800.270.6449
www.gobosource.com/signs



Copyright © 2019 Globus New Media LLC. Specifications may change at anytime, not liable for errors or omissions

4444 Scotts Valley Drive, Suite 5 | Scotts Valley, CA 95066, USA