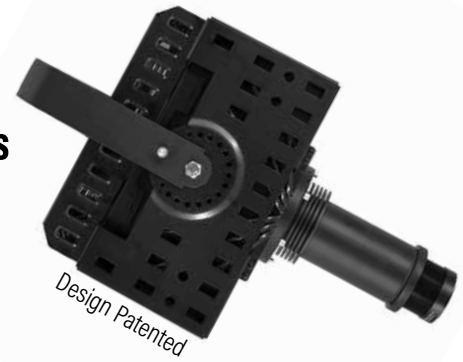


# ECO Spot™ B90PCE LED Gobo Projector - Spec Sheet

## Weather and Dustproof Projector for Rugged Environments

- Passive cooling** - no moving parts such as fans or motors
- Applications** - for dusty and wet industrial environments
- UL/cUL Certified** - for wet and dusty environments
- Interchangeable Projection Lenses** - for a wide range of projection distance and size



### SPECIFICATIONS

**Order Code:** ES-B90PCE  
**Power Supply:** 100-277V, 50/60Hz, 120W  
**Temp Rating:** -22°F to 140°F (-30°C to 60°C)  
**Environment:** Dusty and wet industrial environments

**Lamp Type:** LED - 90 Watt  
**LED Power Range:** Field Adjustable, 60W to 90W (see application notes)  
**Rated LED Lifespan:** 25,000 hours to 60,000 hours depending on power setting  
**LED Color Temp:** 6,000k +/- 500k  
**Luminous Flux:** 7,200lm (effective flux 6,300lm)

**Projection Lenses:** Narrow: f=290mm/10°  
Semi-Narrow: f=210mm/13°  
Medium: f=140mm/20°  
Semi-Wide: f=115mm/25°  
Wide: f=92mm/30° - please note, lens has max Gobo ID of 42mm  
Ultra-Wide: f=56mm/40° - please note, lens has max Gobo ID of 42mm

**Gobo Size:** M-Size - Outside Diameter: 66mm, Image Diameter: 48mm  
(ID=42mm for wide and Ultra-Wide lens)

**Gobo Types:** Glass or Metal Gobos only, no Film Gobos

**Projection Range**

**Bright Environment:** - Up to 50 feet  
**Dim Environment:** - Up to 100 feet  
**Dark Environment:** - Up to 250 feet

**Safety Standards:** UL 48 Standard for Electric Signs, CSA C22.2 No. 207-15 Standard for Portable and Stationary Electric Signs and Displays. E493665 Rated for Wet Environments

**UL Certificate Number:**



Copyright © 2021 Globus New Media LLC. Specifications may change at anytime, not liable for errors or omissions

4444 Scotts Valley Drive, Suite 5 | Scotts Valley, CA 95066, USA

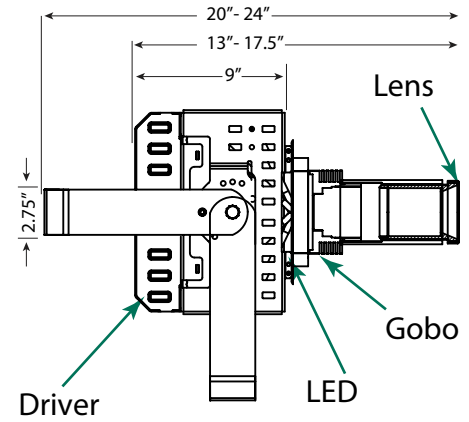
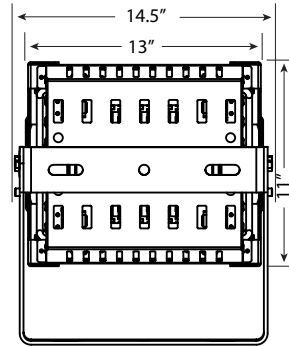
# ECO Spot™ B90PCE LED Gobo Projector - Spec Sheet

## Dimensions

Projector Body: 11" x 13" x 9"  
 Projector Weight: 16lbs

## Total Length

with Narrow Lens: - 19.5"  
 with Semi-Narrow Lens: - 17.5"  
 with Medium or Wide Lens: - 13"  
 with Semi-Wide: - 15.5"

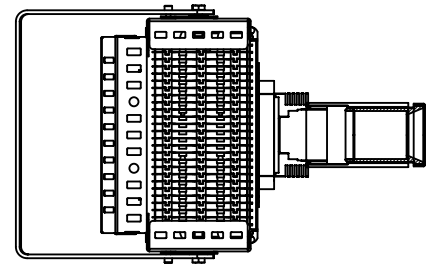


## Shipping Dimensions

Box Size: 17" x 17" x 17"  
 Box Weight: 24lbs

## Product Warranty

Two year repair/replacement warranty for PCE Models  
 For warranty details please visit:  
 ([https://www.gobosource.com/gos/pdf/Warranty\\_Gobosource.pdf](https://www.gobosource.com/gos/pdf/Warranty_Gobosource.pdf))



Model		PROJECTION DISTANCE IN FEET (ft)																				
Model	Gobo max ID	Lens	Beam Mult.	Effective Lumens	Effective Candela	Value	3	6	9	12	15	20	24	30	36	42	64	88	112	136	200	300
ES-B90 ES-B90E ES-B90C ES-B90CE ES-B90PCE	52mm	209mm (13")	0.23	5262	126,720	Size (ft)	2.1	2.8	3.5	4.6	5.5	6.9	8.3	9.7	14.7	20.2	25.8	31.3	46.0			
		Brightn. (fc)	1564	880	563	317	220	141	98	72	31	16	10	7	3							
		140mm (20")	0.35	6300	65,520	Size (ft)	2.1	3.2	4.2	5.3	7.0	8.4	11	13	15	22	31	39	48			
M-Size OD=66mm ID=48mm	48mm	115mm (25")	0.42	5700	41,760	Size (ft)	2.5	3.8	5.0	6.3	8.3	10.0	13	15	18	27	37	47				
		Brightn. (fc)	1160	516	290	186	104	73	46	32	24	10	5	3								
	44mm recom.	92mm (30")	0.55	4445	18,720	Size (ft)	3.3	5.0	6.6	8.3	11.0	13.2	17	20	23	35	48					
		Brightn. (fc)	520	231	130	83	47	33	21	14	11	5	2									
		56mm (40")	0.82	3572	6,768	Size (ft)	4.9	7.4	9.8	12.3	16.4	19.7	25	30	34	52						
						Brightn. (fc)	188	84	47	30	17	12	8	5	4	2						

ECO Spot is a Trademark of Globus New Media LLC dba Gobosource Copyright ©2019 GoboSource® V20181227

### How to Read the Illumination Values

For a quick overview, the illumination values in the tables are color coded. There are many factors that determine the visibility of a projection, such as ambient light, color and reflectiveness of the projection surface, competing light, gobo colors, projector color temperature, and other factors. Therefore our recommendations should only be used as guidelines and we cannot guarantee a successful application. If you are unsure, please call us to discuss.

Projection Size Calculation: For the resulting Projection Size at any given Distance, Multiply the number in the "Beam Mult." column with your Projection Distance. **Projection Size = Distance x Beam Mult.**  
 For the Distance needed to achieve a desired Projection Size, Divide the Projection size by the Beam Multiplier. **Distance = Projection Size / Beam Mult.**

300+	Extreme brightness for extremely bright environments, i.e. bright areas, additionally flooded with daylight, such as Lobby, Retail-, Trade Show-, Environment. Outdoors (shady, no direct sunlight).
150-300	Very high brightness for very bright environments, such as light flooded Office-, Lobby-, Retail-, Trade Show-, Environment. Color gobos project in vibrant colors. Outdoors well visible at night with vibrant colors.
45-150	The most common brightness bracket for bright environments, such as Office, Lobby, Retail, Tradeshow. Outdoors extremely bright at night. Color gobos project well.
15-45	Sufficient brightness for environments, such as Bars, Clubs, and intimate Restaurants, Theaters, and dimmed Conference rooms. Outdoors well visible at night. Color gobos should preferably be used with lighter colors and the projection surface should be light and somewhat reflective.
15-2	Only advisable for dark environments and subtle projection of light colored artwork, preferably on light, reflective projection surface. If all conditions are met, the max. listed image distance/size can be doubled in most cases.

Metric Conversions: For Meters multiply feet by .305. For Lux multiply footcandles by 10.76

## Package Contents

Projector | Mounting Yokes | Lens Tube | Projection Lens | Test Gobo | User Manual

**Have Questions? Call Us!**  
**1.800.270.6449**  
**[www.gobosource.com/signs](http://www.gobosource.com/signs)**



Copyright © 2021 Globus New Media LLC. Specifications may change at anytime, not liable for errors or omissions

4444 Scotts Valley Drive, Suite 5 | Scotts Valley, CA 95066, USA