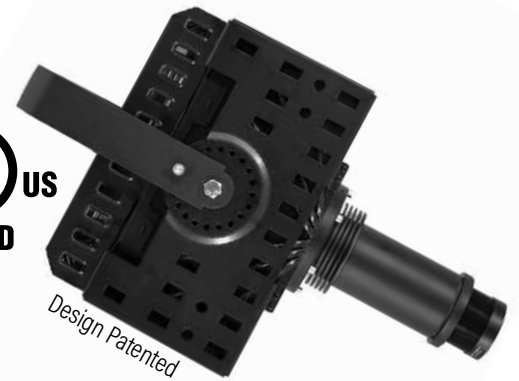


ECO Spot™ C60PCE LED Gobo Projector - Spec Sheet

Weather and Dustproof Projector for Rugged Environments

- Passive cooling** - no moving parts such as fans or motors
- Applications** - for bright environments, large projection sizes and long distance projections
- UL/cUL Certified** - for wet and dusty environments
- Interchangeable Projection Lenses** - for a wide range of projection distances and sizes



SPECIFICATIONS

Order Code: ES-C60PCE
Power Supply: 100-277V, 50/60Hz, 60W
Temp Rating: -22°F to 140°F (-30°C to 60°C) Rugged,
Environment: dusty, wet environments

Lamp Type: LED - 60 Watt
Rated LED Lifespan: 35,000h until 30% brightness loss is reached (L70*) (*L70= the time to 30% brightness loss)
LED Color Temp: 8,000k +/- 500k
Luminous Flux: 4,000lm (effective flux 2,400lm)

Projection Lenses: Narrow: f=140mm/10°
Semi-Narrow: f=100mm/15°
Semi-Wide: f=70mm/20°
Wide: f=56mm/25°
Ultra-Wide: f=28mm/45° - please note, lens has max Gobo ID of 23mm E-
Gobo Size: Size - Outside Diameter: 37.5mm, Image Diameter: 25mm
(ID=23mm for ultra-wide lens)
Gobo Types: Glass or Metal Gobos only, no Film Gobos

Projection Range

Bright Environment: - Up to 50 feet
Dim Environment: - Up to 90 feet
Dark Environment: - Up to 180 feet (very dark conditions)

Safety Standards: UL 48 Standard for Electric Signs,
CSA C22.2 No. 207-15 Standard for Portable and
Stationary Electric Signs and Displays. E493665
Rated for Wet Environments

UL Certificate Number:



Copyright © 2020 Globus New Media LLC. Specifications may change at anytime, not liable for errors or omissions

4444 Scotts Valley Drive, Suite 5 | Scotts Valley, CA 95066, USA

ECO Spot™ C60PCE LED Gobo Projector - Spec Sheet

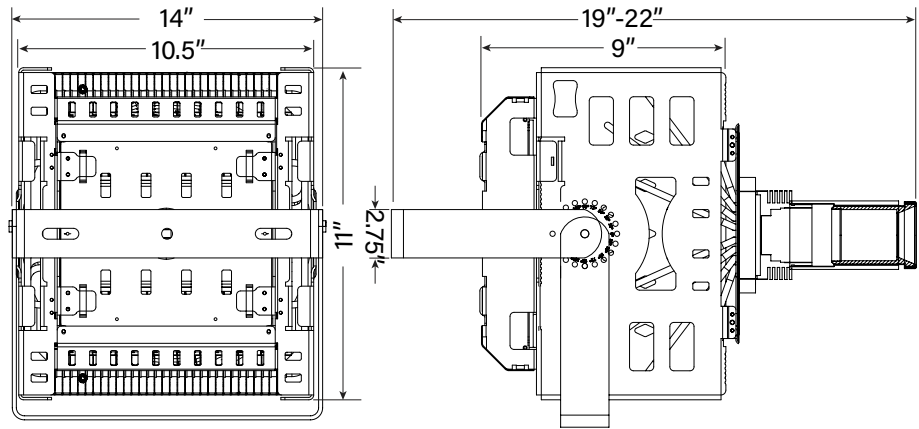
Dimensions

Projector Body: 11" x 10.5" x 9"

Projector Weight: 14lbs

Total Length Including Projection Lens

f=140mm/10° -	18"
f=100mm/15° -	17"
f=70mm/20° -	15"
f=56mm/20° -	15"
f=28mm/45° -	16.5"



Shipping Dimensions

Box Size: 17" x 17" x 17"

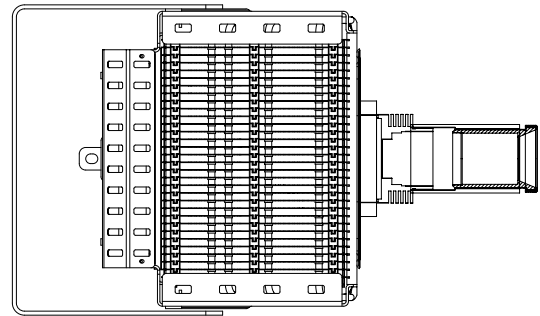
Box Weight: 19lbs

Product Warranty

Two year repair/replacement warranty for PCE Models

For warranty details please visit:

(https://www.gobosource.com/gos/pdf/Warranty_Gobosource.pdf)



ECO Spot™ Photometrics						ECO Spot is a Trademark of Globus New Media LLC dba Gobosource																
Model Gobo Size	Color Temp.	Lens	Beam Mult.	Effective lm	CD	Value	PROJECTION DISTANCE IN FEET (ft)															
							3	6	9	12	15	20	24	30	36	42	64	88	112	136	200	300
ES-C60 ES-C60E ES-C60+ ES-C60PCE	6000k ±. 500k	140mm (10°)	0.18	2381	93,600	Size (ft)			1.6	2.2	2.7	3.6	4.3	5.4	6.5	7.6	11.5	15.8	20.2	24.5	36.0	
						Brightn.(fc)			1156	650	416	234	163	104	72	53	23	12	7	5	2	
		100mm (15°)	0.26	3362	63,360	Size (ft)			1.6	2.3	3.1	3.9	5.2	6.2	7.8	9.4	10.9	16.6	22.9	29.1	35.4	
						Brightn.(fc)			1760	782	440	282	158	110	70	49	36	15	8	5	3	
E-Size ID=25mm	6000k ±. 500k	70mm (20°)	0.35	3739	38,880	Size (ft)			2.1	3.2	4.2	5.3	7.0	8.4	11	13	15	22	31	39		
						Brightn.(fc)			1080	480	270	173	97	68	43	30	22	9	5	3		
		50mm (25°)	0.45	4807	30,240	Size (ft)			2.7	4.1	5.4	6.8	9.0	11	14	16	19	29	40	50		
						Brightn.(fc)			840	373	210	134	76	53	34	23	17	7	4	2		
		28mm (45°)	0.88	5952	9,792	Size (ft)			5.3	7.9	10.6	13.2	17.6	21.1	26.4	31.7	37.0	56.3				
						Brightn.(fc)			272	121	68	44	24	17	11	8	6	2				

ECO Spot is a Trademark of Globus New Media LLC dba Gobosource

MAX ID For this Lens is 23MM

Copyright ©2019 Gobosource™

How to Read the Illumination Values

Foot Candles (ft) For a quick overview, the illumination values in the tables are color coded. There are many factors that determine the visibility of a projection, such as ambient light, color and reflectiveness of the projection surface, competing light, gobo colors, projector color temperature, and other factors. Therefore our recommendations should only be used as guidelines and we cannot guarantee a successful application. If you are unsure, please call us to discuss.

Projection Size Calculation For the resulting Projection Size at any given Distance, Multiply the number in the "Beam Mult." column with your Projection Distance. **Projection Size = Distance x Beam Mult.**
For the Distance needed to achieve a desired Projection Size, Divide the Projection size by the Beam Multiplier. **Distance = Projection Size / Beam Mult.**

300+	Extreme brightness for extremely bright environments, i.e. bright areas, additionally flooded with daylight, such as Lobby-, Retail-, Trade Show-, Environment. Outdoors (shady, no direct sunlight).
150-300	Very high brightness for very bright environments, such as light flooded Office-, Lobby-, Retail-, Trade Show-, Environment. Color gobos project in vibrant colors. Outdoors well visible at night with vibrant colors.
45-150	The most common brightness bracket for bright environments, such as Office, Lobby, Retail, Tradeshow. Outdoors extremely bright at night. Color gobos project well.
15-45	Sufficient brightness for environments, such as Bars, Clubs, and intimate Restaurants, Theaters, and dimmed Conference rooms. Outdoors well visible at night. Color gobos should preferably be used with lighter colors and the projection surface should be light and somewhat reflective.
15-2	Only advisable for dark environments and subtle projection of light colored artwork, preferably on light, reflective projection surface. If all conditions are met, the max. listed image distance/size can be doubled in most cases.

Metric Conversions: For Meters multiply feet by .3048. For Lux multiply footcandles by 10.76

Package Contents

Projector | Mounting Yokes | Lens Tube | Projection Lens | Test Gobo | User Manual

Have Questions? Call Us!

1.800.270.6449

www.gobosource.com/signs



Copyright © 2019 Globus New Media LLC. Specifications may change at anytime, not liable for errors or omissions

4444 Scotts Valley Drive, Suite 5 | Scotts Valley, CA 95066, USA