



# ECO Lines F80

## ECO Lines F80 LED Line Projector

Projects a thick, permanent floor line that eliminates the need for maintenance required by floor tape and paint lines.

- 3rd Generation: Crisper, longer lines at increased brightness
- Designed for Rugged Environments and long service life
- Focusable for optimal line appearance and brightness
- Maintenance free, no fans or motors
- Adjustable line length option



### SPECIFICATIONS

Item Codes: EL-F80Y (yellow), EL-F80A (amber), EL-F80G (green), EL-F80B (blue), EL-F80R (red), EL-F80W (white)  
 Power Supply: 100-240/277VAC, 50/60Hz (Voltage Range: 90-305VAC, 48-63Hz; 127-431VDC)  
 Power Draw: 70W, 0.7A/115V, 0.3A/277V  
 Driver: MOSO X6-105M041 (external)  
 Inrush Current: COLD START 60A (t width=375µs at 50% I peak) at 230VAC per NEMA 410  
 Breakers: We recommend lighting specific breakers at 70% of specified load  
 Power Cord: Length: 8.75' (2.65m), Power Plug: Nema 5-15 (other plug options, such as L7-15P available)  
 Control Input Signals: On/Off or Dimming: 1-10V, 10-100KOhm, PWM, Dry Switch

Environmental Rating: Driver: IP67, Projector: IP65  
 Safety Standards: EC: EN IEC 60598-1:2021, N IEC 60598-2-1:2021, Driver: UL E334687  
 Temperature Range: -22°F to 122°F (-30°C to 50°C)

LED Life: 35,000h until 30% brightness loss is reached (L70\*) (\*L70= the time to 30% brightness loss)  
 Driver Life: MTBF: 200,000h, lifetime: 100,000h at tc=75°C and 80% load (driver and LED are field serviceable)

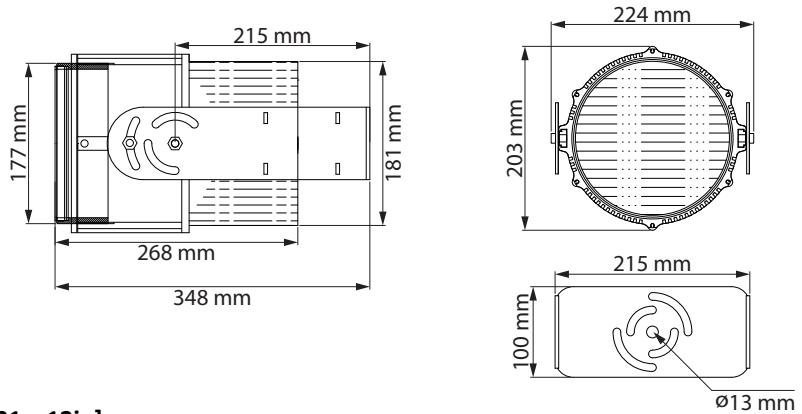
Projection Colors: Yellow, Green, Red, Blue, Amber, White (colors are changeable by swapping the LED)  
 Line Width: 3 to 6" (75 to 150mm)  
 Projection Lenses: 25° (1:0.48 throw ratio\*) 53° (1:0.93) 73° (1:1.4) 90° (1:1.86) \* Throw Distance: Line Length

Typ. Projection Range / Size	Bright Environment	Average Env.	Dim Env.
Typ. Usable Line Length:	36-45' (11-14m)	48-56' (15-17m)	80' (24m)
At typ. Distance:	20/27/41' (6/8/13m)	26/34/52' (7.5/10/15m)	43/65/86' (12/16/24m)

Line Length Adjustment: Yes, with optional blinders (the min. length is approx. 30% of the full line length)

Product Warranty: Two years from date of purchase

## DIMENSIONS AND WEIGHT

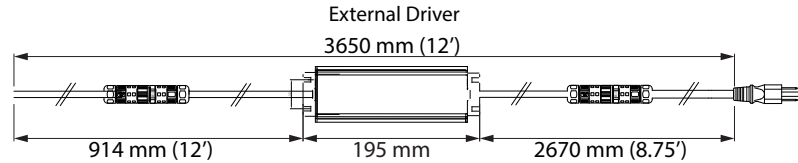


Dimensions in mm

Weight incl. Driver: 5.9kg [13lbs]

Master Carton (2 pcs): 58 x 54 x 30cm [23 x 21 x 12in]

Master Carton Dim Weight: 15.7kg



## PHOTOMETRICS (see our website for metric version and details)

ECO Lines™ Photometrics (Imperial values)						
Model	Lens	Beam Mult.	Effective lm	Efficiency lm/W	CD	Value
PROJECTION DISTANCE IN FEET (ft)						
9 12 15 18 24 30 36 42 48 54 60 65 70 75 80 85 90 95 100						
ECO Lines F80 Green	25°	0.48	31741	397	352,219	Length (ft)
						Brightness (fc)
	53°	0.90	15748	197	154,800	Length (ft)
						Brightness (fc)
	73°	1.40	29909	374	121,500	Length (ft)
						Brightness (fc)
90°	1.90	47743	597	105,300	Length (ft)	
					Brightness (fc)	
ECO Lines F80 Yellow	25°	0.48	25502	170	282,989	Length (ft)
						Brightness (fc)
	53°	0.90	12452	83	122,400	Length (ft)
						Brightness (fc)
	73°	1.40	23263	155	94,500	Length (ft)
						Brightness (fc)
90°	1.90	38766	258	85,500	Length (ft)	
					Brightness (fc)	
ECO Lines F80 Amber	25°	0.48	16608	111	184,301	Length (ft)
						Brightness (fc)
	53°	0.90	8240	55	81,000	Length (ft)
						Brightness (fc)
	73°	1.40	16173	108	65,700	Length (ft)
						Brightness (fc)
90°	1.90	25708	171	56,700	Length (ft)	
					Brightness (fc)	
ECO Lines F80 Red	25°	0.48	21604	270	239,740	Length (ft)
						Brightness (fc)
	53°	0.90	10438	130	102,600	Length (ft)
						Brightness (fc)
	73°	1.40	20161	252	81,900	Length (ft)
						Brightness (fc)
90°	1.80	29299	366	72,000	Length (ft)	
					Brightness (fc)	
ECO Lines F80 Blue	25°	0.48	37092	247	411,604	Length (ft)
						Brightness (fc)
	53°	0.90	18403	123	180,900	Length (ft)
						Brightness (fc)
	73°	1.40	36999	247	150,300	Length (ft)
						Brightness (fc)
90°	1.90	55496	370	122,400	Length (ft)	
					Brightness (fc)	
ECO Lines F80 White	25°	0.48	42997	537	477,134	Length (ft)
						Brightness (fc)
	53°	0.90	21333	142	209,700	Length (ft)
						Brightness (fc)
	73°	1.40	39658	264	161,100	Length (ft)
						Brightness (fc)
90°	1.90	64474	430	142,200	Length (ft)	
					Brightness (fc)	

© 2025 Gobosource. Gobosource is a Registered Trademark of Globus New Media LLC.  
**How to Read the Illumination Values**  
 700+ Extreme brightness for extremely bright environments, extremely bright production environments (no direct sunlight).  
 180-700 Very high brightness for very bright environments, such as very bright production floor.  
 90-180 The most common brightness bracket for regular production floors and modern warehouses.  
 60-90 Sufficient brightness for bright and medium bright warehouses.  
 40-60 Sufficient brightness for dim facilities.